

Features

- ◆ The common mode filter is mainly used to reduce radiation and high frequency common mode noise.
- ◆ Reduce asymmetric interference on CAN, power and other interfaces.
- ◆ Small package large current to meet a variety of circuits
- ◆ Low leakage, no effect on differential mode current
- ◆ Packaging quantity:2000pcs

Application

- ◆ Portable devices
- ◆ Digital cameras
- ◆ Player
- ◆ Smart home
- ◆ Robot

Part Numbering

| | | | | | | | |
|------------|-------------|----------|----------|------------|----------|----------|----------|
| CMF | 3216 | W | A | 102 | M | Q | T |
| A | B | C | D | E | F | G | H |

A:ASIM common mode filter

B:Dimension

C:Wire wound

D:Shielding type for 1.0GHz

E:Common Mode Impedance (at 100MHz), 900=90Ω 161=160Ω
261=260Ω 601=600Ω 102=1000Ω

F:Tolerance M±25%

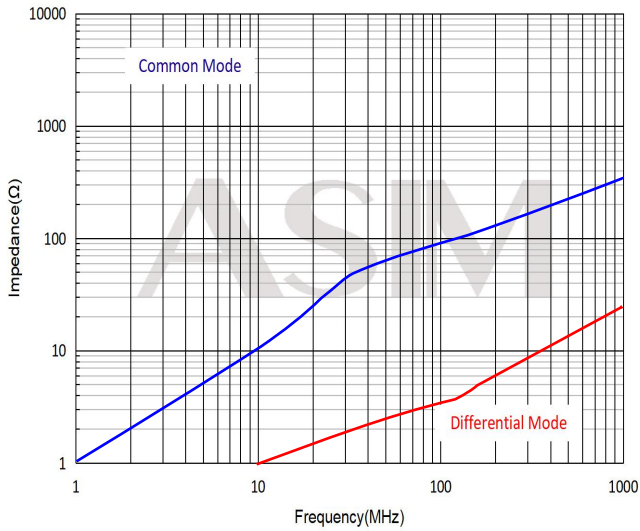
G:Internal series

H:Tape

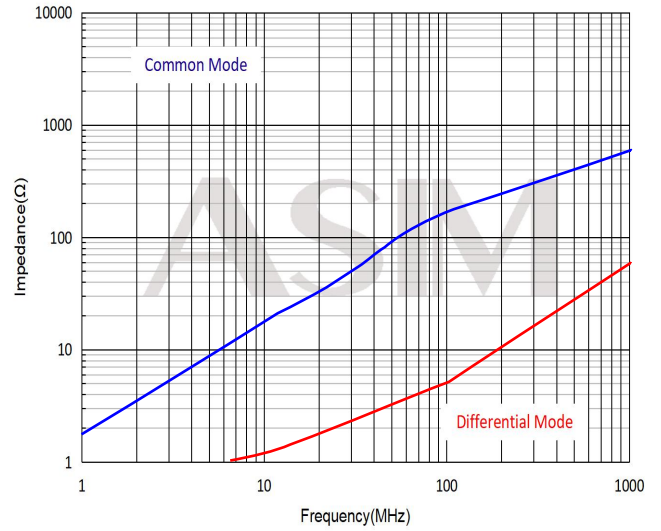
Specification

| Part Number | Common mode Impedance (Ω) | Test Frequency (MHz) | DC Resistance (Ω) max. | Rated Current (mA) | Rated Volt. (Vdc) | Withstand Volt. (Vdc) | IR (Ω) min. |
|-----------------|---------------------------|----------------------|------------------------|--------------------|-------------------|-----------------------|-------------|
| CMF3216WA900MQT | 90±25% | 100 | 0.30 | 500 | 50 | 125 | 10M |
| CMF3216WA161MQT | 160±25% | 100 | 0.40 | 340 | 50 | 125 | 10M |
| CMF3216WA261MQT | 260±25% | 100 | 0.50 | 310 | 50 | 125 | 10M |
| CMF3216WA601MQT | 600±25% | 100 | 0.80 | 260 | 50 | 125 | 10M |
| CMF3216WA102MQT | 1000±25% | 100 | 1.00 | 230 | 50 | 125 | 10M |

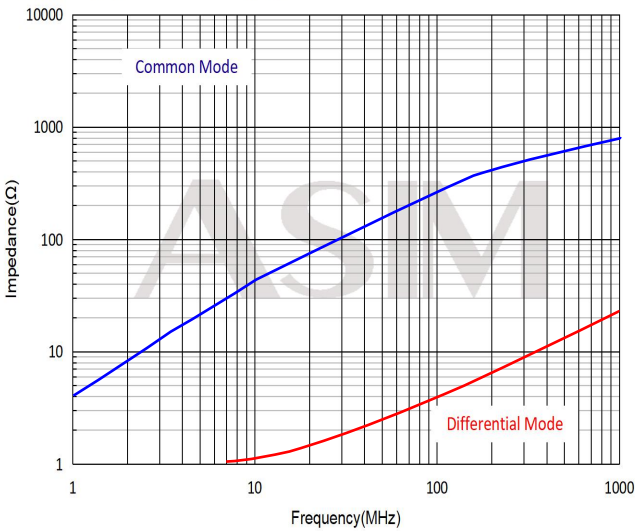
Performance Curves



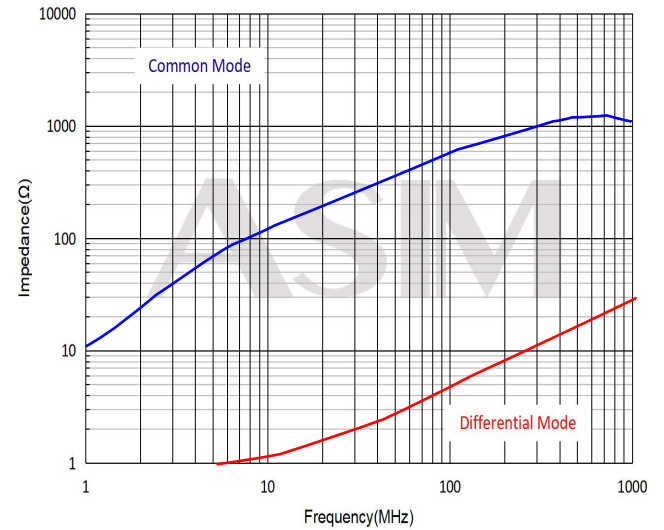
CMF3216WA900MQT



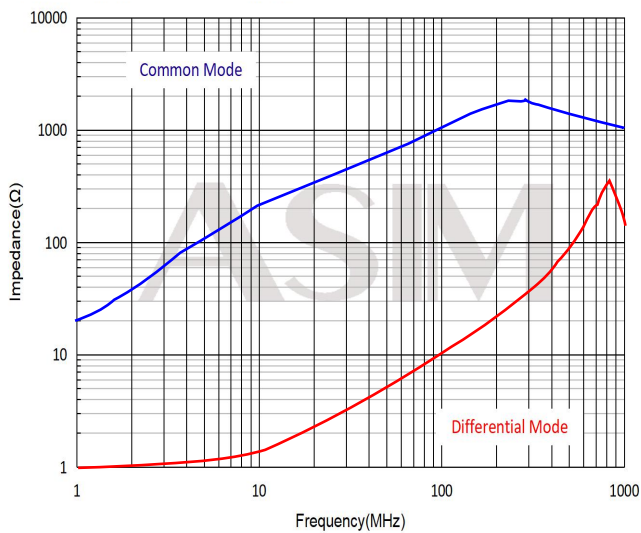
CMF3216WA161MQT



CMF3216WA261MQT

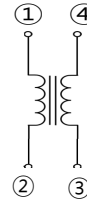
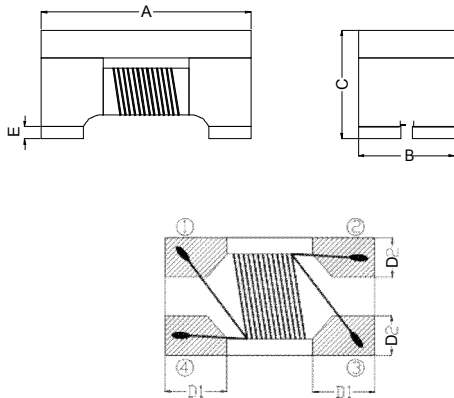


CMF3216WA601MQT



CMF3216WA102MQT

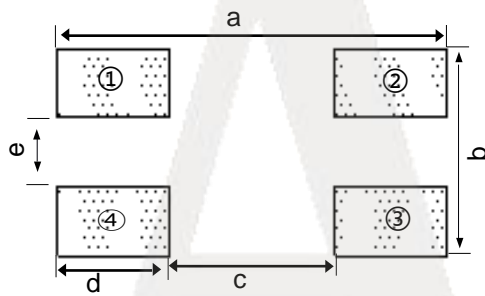
Dimension (mm)



| PIN NUMBER | DESCRIPTION |
|------------|-------------|
| ① ~ ② | DATA LINE |
| ④ ~ ③ | DATA LINE |

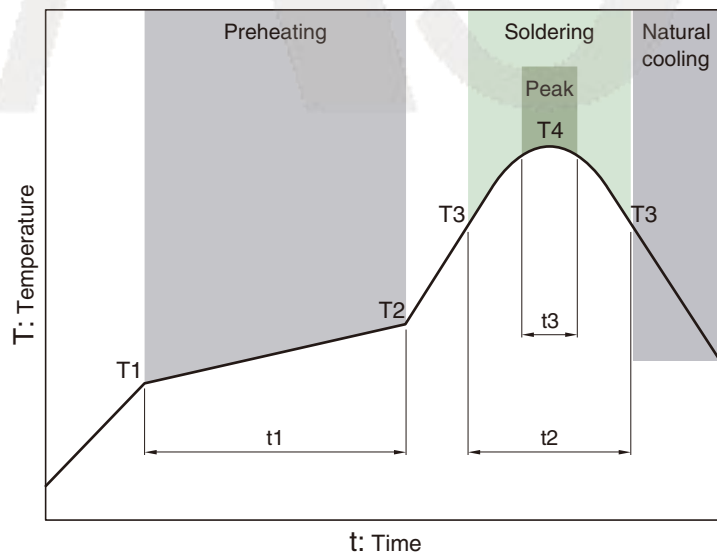
| A(mm) | B(mm) | C(mm) | D1(mm) | D2(mm) | E(mm) |
|---------|---------|---------|---------|---------|----------|
| 3.2±0.2 | 1.6±0.2 | 1.8±0.2 | 0.6±0.1 | 0.6±0.1 | 0.15±0.1 |

Recommended Land Pattern (mm)



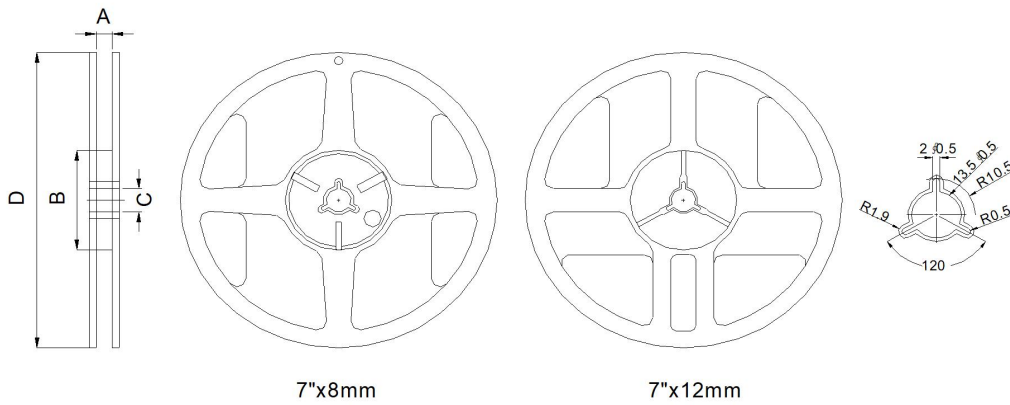
| Symbol | a | b | c | d | e |
|-----------|-----|-----|-----|------|-----|
| Dimension | 3.7 | 1.6 | 1.6 | 1.05 | 0.4 |

Recommended Reflow Profile

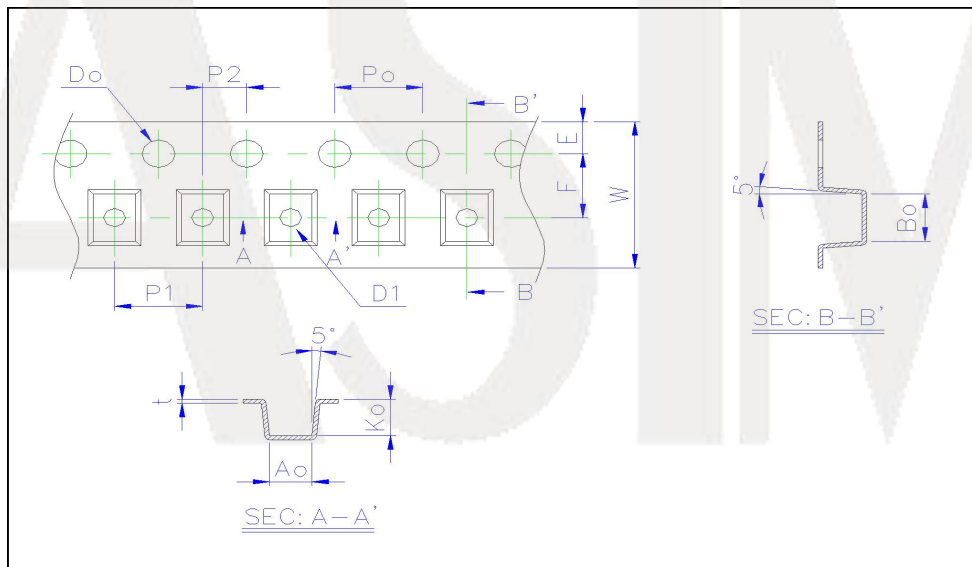


| Preheating | | | Soldering | | Peak | |
|------------|-------|------------|-----------|-----------|-------|------|
| Temp. | Temp. | Time | Temp. | Time | Temp. | Time |
| T1 | T2 | t1 | T3 | t2 | T4 | t3 |
| 150°C | 180°C | 60 to 120s | 230°C | 25 to 35s | 250°C | 5s |

Reel Dimension&Tape Dimension (mm)



| Type | A(mm) | B(mm) | C(mm) | D(mm) |
|---------|----------|-------|----------|-------|
| 7"x8mm | 9.0±0.5 | 60±2 | 13.5±0.5 | 178±2 |
| 7"x12mm | 13.5±0.5 | 60±2 | 13.5±0.5 | 178±2 |



| Size | Ao(mm) | Bo(mm) | Ko(mm) | W(mm) | E(mm) | F(mm) | Po(mm) | P1(mm) | Do(mm) |
|------|-----------|-----------|-----------|-----------|-----------|-----------|----------|----------|---------|
| 3216 | 1.88±0.10 | 3.50±0.10 | 2.10±0.10 | 8.00±0.20 | 1.75±0.10 | 3.50±0.05 | 4.0±0.05 | 4.0±0.10 | 1.0±0.1 |