

◆ Features

1. Lead free type.
2. Compact size for 0402
3. Insulator over coat keeps excellent low and stable leakage current.
4. Quick response time (<1ns).
5. Low Clamping Voltage.
6. Meet IEC 61000-4-2 standard.
 - Contact discharge mode: typical $\pm 8\text{kV}$, max $\pm 15\text{kV}$
 - Air discharge mode: typical $\pm 15\text{kV}$, max $\pm 25\text{kV}$



◆ Applications

Application for Mother Board, Notebook, cellular Phone, PDA, handheld device, DSC, DV, Scanner, and Set-Top Box etc.

◆ How to Order

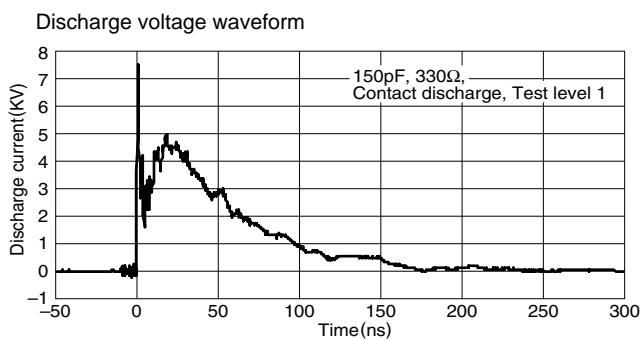
<u>CV</u>	<u>0402</u>	<u>V</u>	<u>T6</u>	<u>001</u>	<u>T</u>
(1)	(2)	(3)	(4)	(5)	(6)

- (1) CV : Series Name
- (2) Size: 0402
- (3) V: Structure type
- (4) T6: $V_{DC} \ 6 \ V$
- (5) 001: 0.1PF
- (6) Packing: Tape & Reel

◆ Specifications

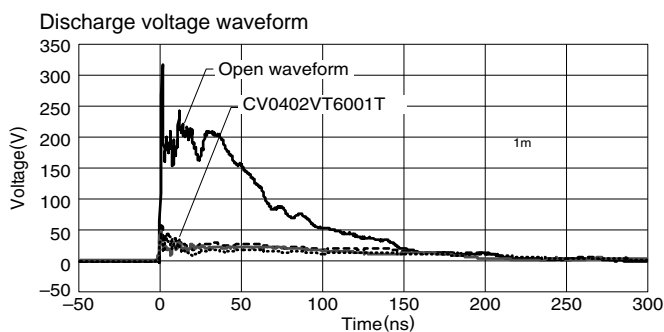
Part Number	Rated Voltage V_{DC} (V)	Trigger voltage ESD V	$V_{Clamp,max}$ ESD V	C_{typ} (1MHz,0V) pF Max	Leakage Current ($I_{L MAX}$) $\mu A @ 6V$	Package quantity
CV0402VT6001T	6	100-150	20	0.25	20	10,000

Electrostatic absorption characteristic

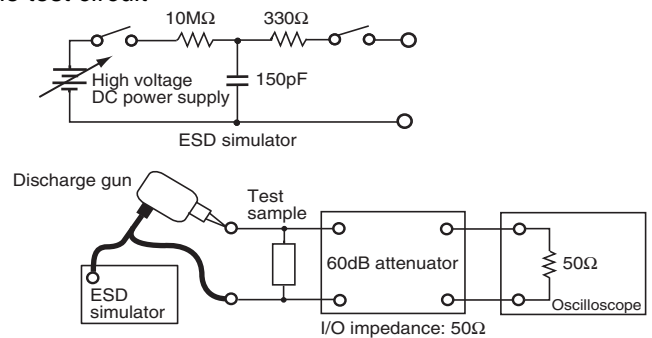


Waveform parameters [IEC61000-4-2]

level	ESD Charging voltage (kV)	Peak current (A)	Rise time (ns)
1	2	7.5	0.7 to 1.0
2	4	15	0.7 to 1.0
3	6	22.5	0.7 to 1.0
4	8	30	0.7 to 1.0

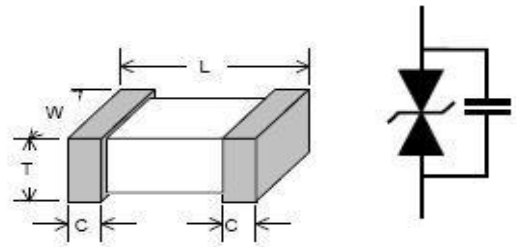


The test circuit



◆ Dimensions Unit:mm

Size EIA(EIAJ)	(0402)
L	1.00±0.15
W	0.50±0.10
T	0.50±0.10
C	0.25±0.15



◆ General Technical Data

Operating Temperature	-55 ~ +125°C
Storage Temperature	-55~ +125°C
Response Time	<1 ns
Solderability	245±5°C, 3±1sec.

◆ Environmental Performance

Item	Specifications	Test Condition
Bias Humidity	$\Delta Vv / Vv \leq \pm 10\%$	90%RH, 40°C, Working Voltage, 1000hrs
Thermal Shock		-55°C to 125°C, 30min.cycle, 5 cycles
Full Load Voltage		Working Voltage, 125°C, 1000hrs
Solder Leach Resistance	(1) $\Delta Vv / Vv \leq \pm 10\%$ (2) $I_L \leq 1nA$ at Working Voltage (3)Solder Wetting Area $\geq 95\%$	260±5°C, 10 ±1sec.

◆ Package

Size EIA(EIAJ)	0402
Standard Packing Quantity(pcs / reel)	10,000