

1-Line, Uni-directional, Transient Voltage Suppressors

Descriptions

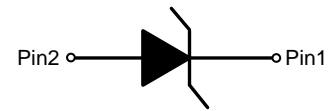
The ESD24H301TR is a uni-directional TVS (Transient Voltage Suppressor). It is specifically designed to protect sensitive electronic components that may be subjected to ESD (Electrostatic Discharge), EFT (Electrical Fast Transients) and Lightning. It is particularly well-suited for cellular phones, portable device, digital cameras, power supplies and many other portable applications because of its small package

The ESD24H301TR may be used to provide ESD protection up to $\pm 30\text{KV}$ Air, $\pm 30\text{KV}$ contact compliance to IEC61000-4-2, and withstand peak pulse current up to 100 A (8/20 μs) according to IEC61000-4-5.

The ESD24H301TR is available in DFN1610-2L package. Standard products are Pb-free and Halogen-free.



DFN1610-2L



Circuit diagram

Features

- Stand-off voltage: +24V Max
- Transient protection for each line according to IEC61000-4-2 (ESD): $\pm 30\text{KV}$ Air, $\pm 30\text{KV}$ contact IEC61000-4-5 (Surge): 100A (8/20 μs)
- Solid-state silicon technology
- Low leakage current

Applications

- Cell phone handsets and accessories
- Personal Digital Assistants (PDAs)
- Notebooks, Desktops, and Servers
- Portable Instrumentation
- Digital Cameras
- CAR/MID DVD/MP3/MP4/PMP Players

Order information

Device	Marking	Shipping
ESD24H301TR	X	3000/Tape&Reel

Absolute maximum ratings

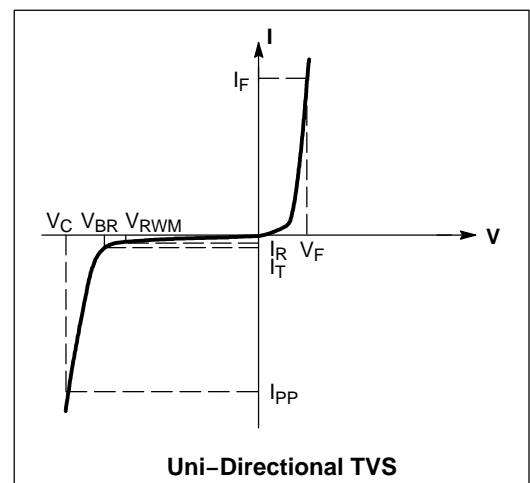
Parameter	Symbol	Rating	Unit
Peak pulse current ($t_p = 8/20\mu s$)	I_{PP}	100.0	A
ESD according to IEC61000-4-2 air discharge	V_{ESD}	± 30	kV
ESD according to IEC61000-4-2 contact discharge		± 30	
Operating temperature	T_{OP}	-40~85	$^{\circ}C$
Operation junction temperature	T_J	125	$^{\circ}C$
Lead temperature	T_L	260	$^{\circ}C$
Storage temperature	T_{STG}	-55~150	$^{\circ}C$

Electrical characteristics (TA=25 $^{\circ}C$, unless otherwise noted)

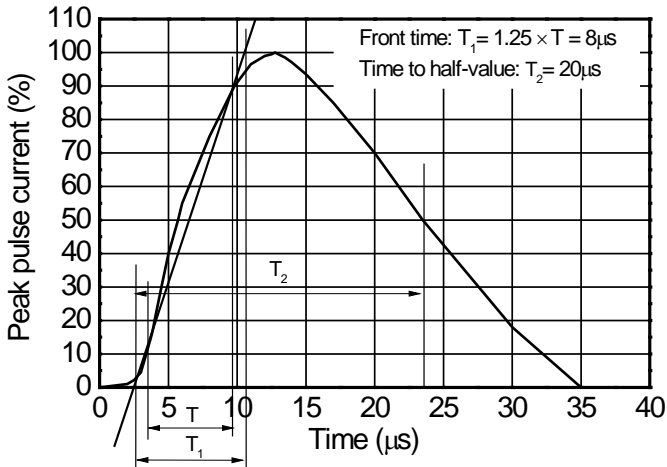
Parameter	Symbol	Min	Typ	Max	Unit	Test Condition
Reverse Working Voltage	V_{RWM}			24.0	V	$I_R = 0.5\mu A$
Breakdown Voltage	V_{BR}	25.5			V	$I_T = 1mA$
Reverse Leakage Current	I_R			0.5	μA	$V_R = 24V$
Forward Voltage	V_F		0.7		V	$I_F = 10mA$
Clamping Voltage	V_C (PIN 1 TO PIN 2)		32.0	34.0	V	$I_{PP} = 100A(8/20\mu s \text{ pulse})$
Junction capacitance	C_J		250.0	600.0	pF	$V_R = 0V, f = 1MHz$

Electrical performance curve

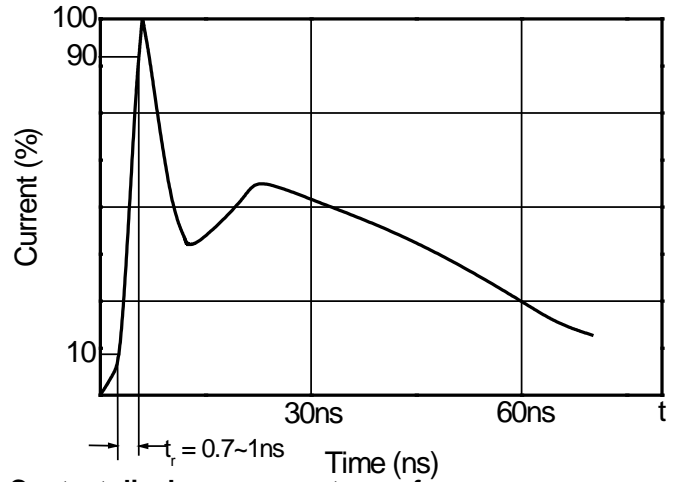
Symbol	Parameter
V_{RWM}	Peak Reverse Working Voltage
I_R	Reverse Leakage Current @ V_{RWM}
V_{BR}	Breakdown Voltage @ I_T
I_T	Test Current
I_{PP}	Maximum Reverse Peak Pulse Current
V_C	Clamping Voltage @ I_{PP}
P_{PP}	Peak Pulse Power
C_J	Junction Capacitance
I_F	Forward Current
V_F	Forward Voltage @ I_F



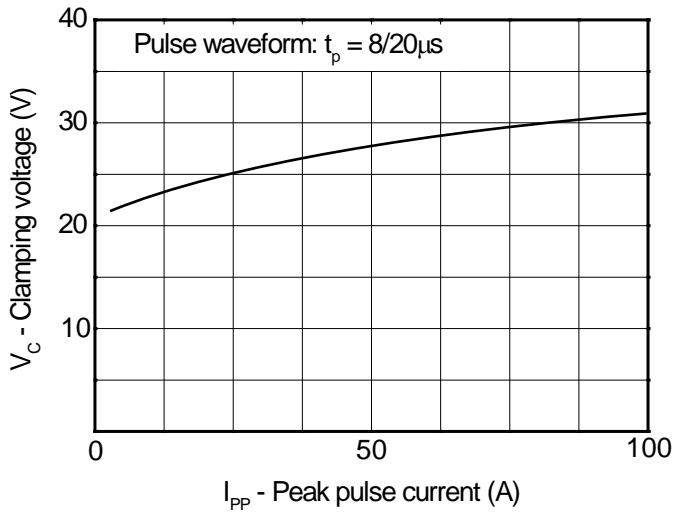
Typical characteristics ($T_A=25^\circ\text{C}$, unless otherwise noted)



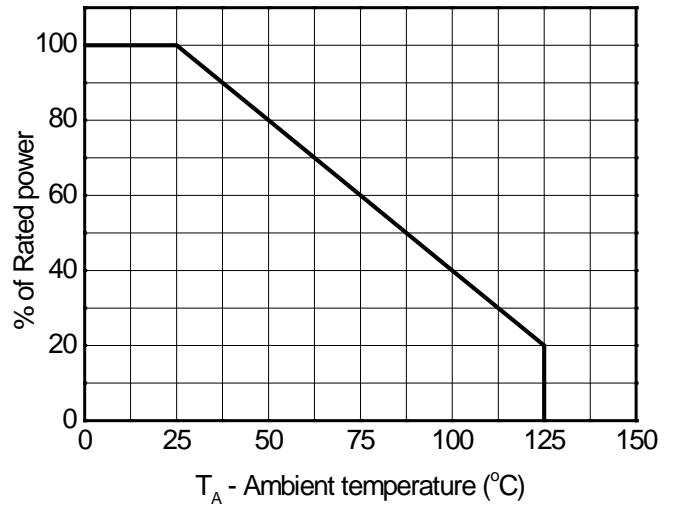
8/20 μs waveform per IEC61000-4-5



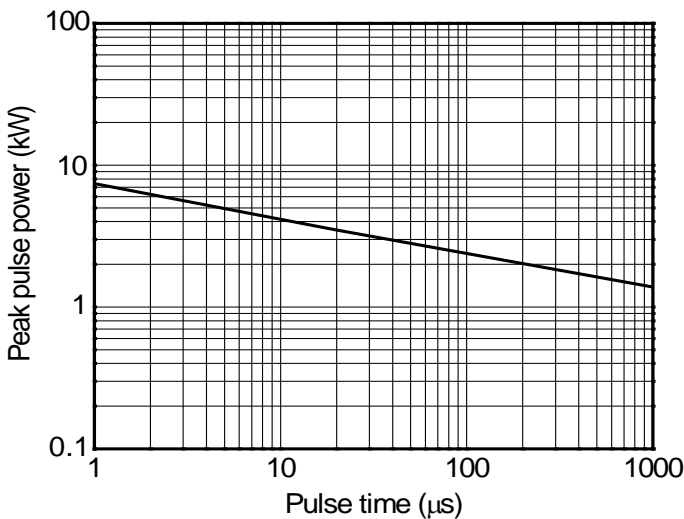
Contact discharge current waveform per IEC61000-4-2



Clamping voltage vs. Peak pulse current

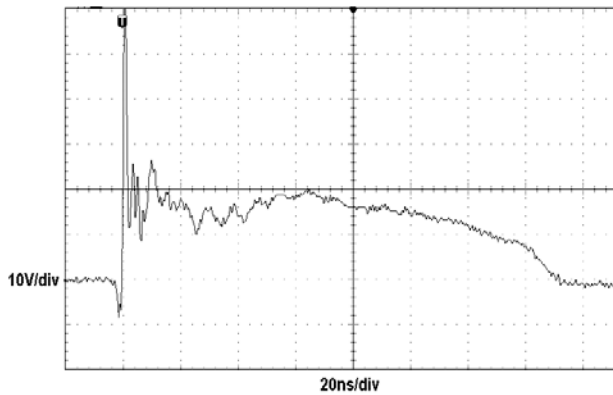
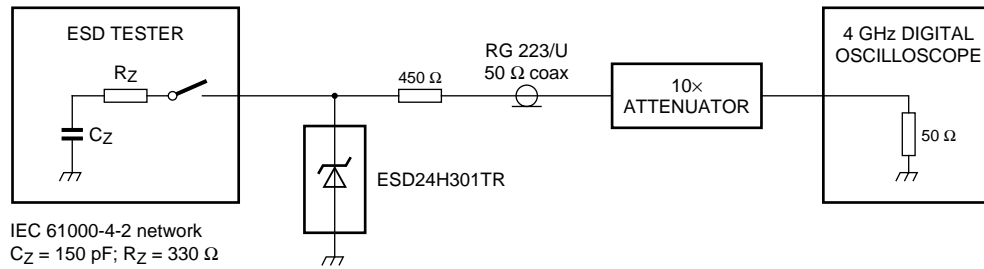


Power derating vs. Ambient temperature

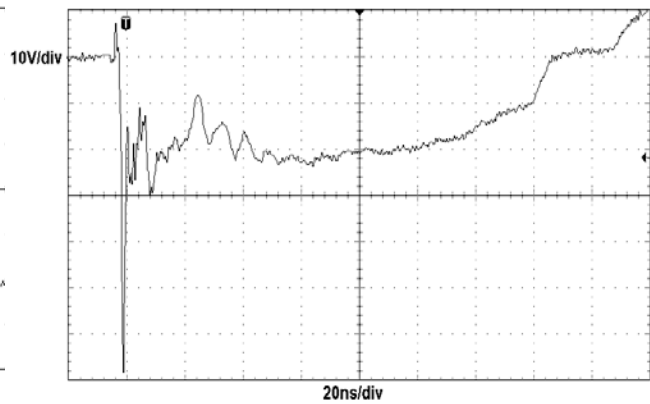


Non-repetitive peak pulse power vs. Pulse time

ESD clamping test setup and waveforms

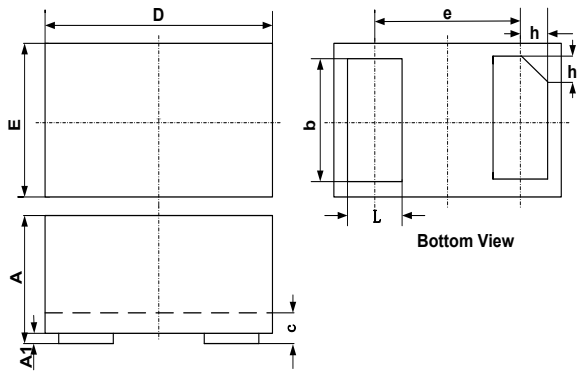


ESD clamping
(+8kV contact discharge per IEC61000-4-2)



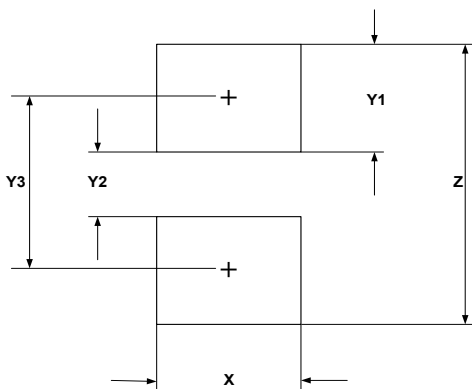
ESD clamping
(-8kV contact discharge per IEC61000-4-2)

DFN1610-2L Package Outline Drawing Unit:mm



SYM	DIMENSIONS					
	MILLIMETERS			INCHES		
	MIN	NOM	MAX	MIN	NOM	MAX
A	0.45	0.50	0.55	0.018	0.020	0.022
A1	0.00	0.02	0.05	0.000	0.001	0.002
b	0.75	0.80	0.85	0.030	0.032	0.034
c	0.10	0.15	0.20	0.004	0.006	0.008
D	1.55	1.60	1.65	0.062	0.064	0.066
e	1.10 BSC			0.044 BSC		
E	0.95	1.00	1.05	0.038	0.040	0.042
L	0.35	0.40	0.45	0.014	0.016	0.018
h	0.15	0.20	0.25	0.006	0.008	0.010

Suggested Land Pattern Unit:mm



SYM	DIMENSIONS	
	MILLIMETERS	INCHES
X	1.00	0.040
Y1	0.62	0.025
Y2	0.60	0.024
Y3	1.22	0.049
Z	1.85	0.074